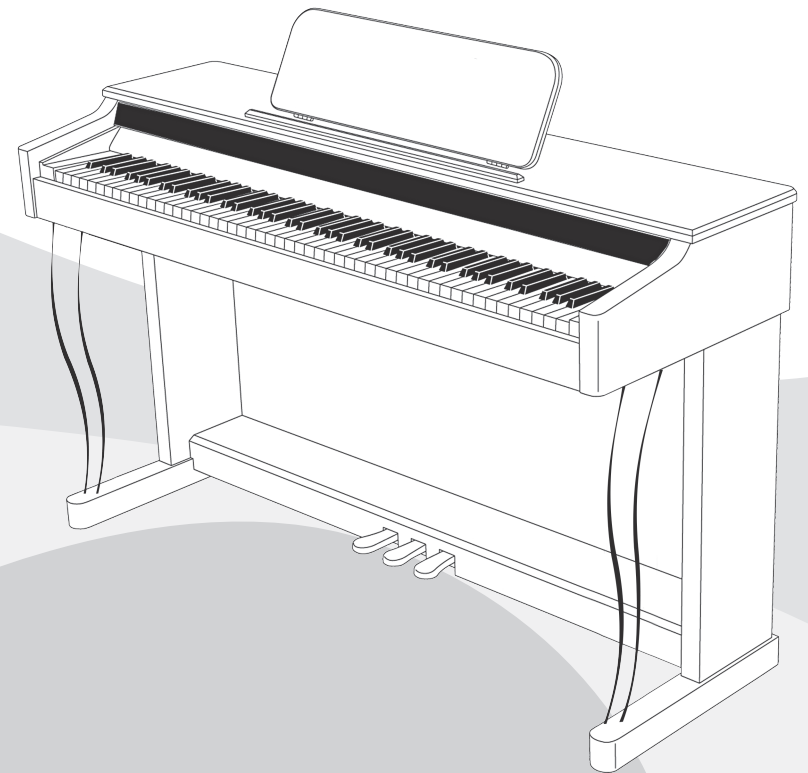


# **Digital Piano**

USER MANUAL



## Welcome To Use Digital Piano

Thank you for your purchase of this digital keyboard. This digital keyboard is elegant and refined, combined perfectly with handle and timbre of traditional keyboard and latest electronic technology of the present age.

- ◆ Before using this musical instrument, you should read this manual book in detail.
- ◆ please keep all user files properly as to look up when needed in days to come

## CONTTENT

|  |       |
|--|-------|
| 1. Function Introduction .....               | 2-3   |
| 2. Safety Caution .....                      | 4-5   |
| 3. Installation Graphic Representation ..... | 5     |
| 4. FUNCTIONAL INDICATOR .....                | 6     |
| 5. Connection .....                          | 7     |
| 6. JACK SOCKET .....                         | 8     |
| 7. BASIC OPERATION .....                     | 9-11  |
| 8. Tone List .....                           | 12-23 |
| 9. Rhythm List .....                         | 23-30 |
| 10. Demo List .....                          | 31-32 |
| 11. Single Finger Chord List .....           | 33    |
| 12. Multi-Finger Chord List .....            | 34-35 |
| 13. Product Maintenance .....                | 36-37 |

## Function Introduction

### Appealing tone

It adopts Dream source , with digitization sampling, which provide vivid as acoustical experience for your performance

### 900 tones that are plentiful and top grade

which include 128 standard GM tones,

### 700 preset rhythms

There are 700 rhythms, including all sorts of accompaniments, ranging from rock-and-roll to pop music and jazz, which enable you to experience various feelings.

### 110 Demo songs

110 demos of various styles are selected with great care to be played.

### USB / MIDI terminal

Use USB or MIDI terminal. and you can connect it to the computer or other MIDI devices for interaction and creation quickly and conveniently .



# function list

- 88 Keys Keyboard
- 900Tones
- 700Rhythms
- 110 Demos in the library
- Keyboard percussion
- LED display
- Master volume / Chord volume control
- Tempo control / Transpose control
- chord function
- Accompaniment synchronization
- Keyboard split function
- Touch control / Transfer metronome
- USB/MIDI capability
- Headphone jack / Stereo audio input

# Safety Caution

## Warning

### **Smoke , peculiar smell, overheat**

When this musical instrument smokes, gives off peculiar smell or is overheat, continuing in service may result in fire and electric shock. When the above cases occur, you shall carry out the following operations immediately.

- 1.turn power off .
- 2.please unplug plug of AC transformer from the outlet.
- 3.contact your dealer.

### **AC transformer**

- The misapplication of AC transformer may result in fire and electric shock. You shall abide by the following caution notes.

1. You shall use special AC transformer appointed for this product.
2. You shall use AC power supply whose output voltage is within the range of voltage rating marked on the AC transformer.
3. You shall not make the outlet and power extension line overload

You shall never touch AC transformer with wet hand, otherwise it may result in electric shock.

- please use AC transformer where may not touch water. Water may result in fire and electric shock.
- You shall never place vase or any other containers with water on AC transformer .Water may result in fire and electric shock

## Notice

### AC transformer

• The misapplication of AC transformer may result in fire and electric shock. You shall abide by the following caution notes.

1. You shall never place power line near kiln or other heaters.
2. When unplugged from the outlet, the power line shall never be pulled and dragged.

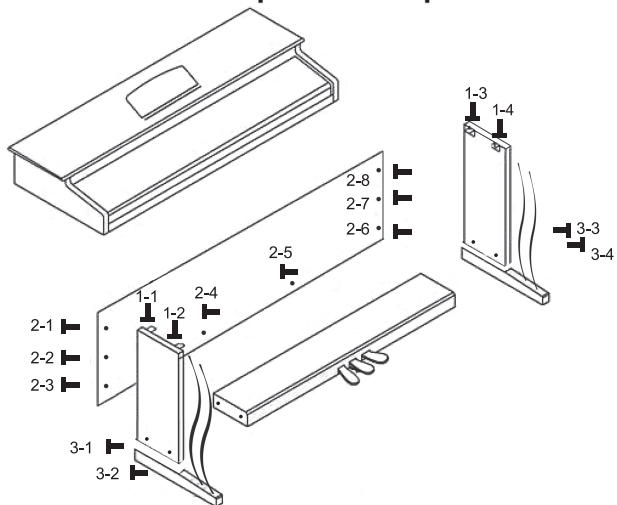
You shall grasp the body of AC transformer plug.

3. You shall insert the AC transformer into the outlet to the end.

### Volume

You shall never play music with high volume for a long time. When using earphone, you shall take particular care. Too high volume may do harm to your hearing.

## Installation Graphic Representation

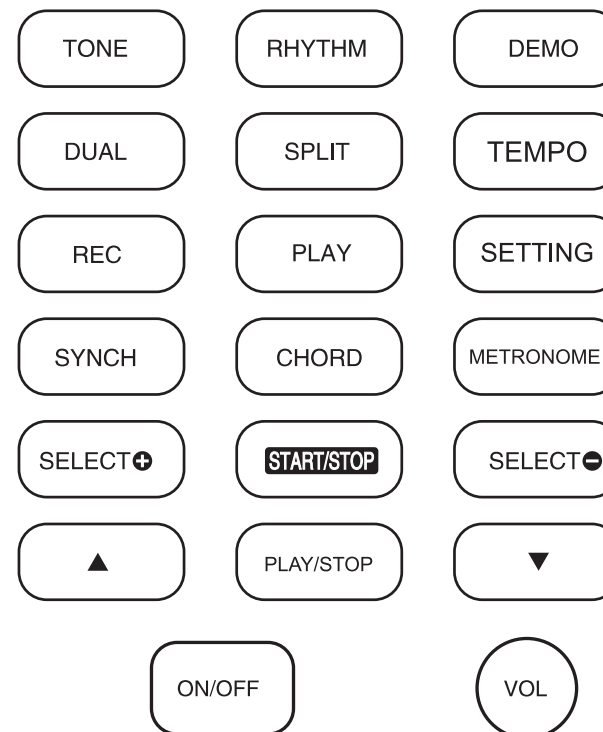


1. 1-1 to 1-4 plastic fix part screw M6X25 (4PCS)
2. 2-1 to 2-8 screws M6X20 (8 PCS)
3. 3-1 to 3-4 screws M6X60 (4 PCS)

## FUNCTIONAL INDICATOR



USB



## Connection

### Audio Input Interface

Before external audio signal is connected to this product, please turn down the volume of tone source at first. Adjust the volume to the satisfactory level after connection.

Connecting wire, which is sold into the open where both ends are standard plugs ( for instance : for MP3 )

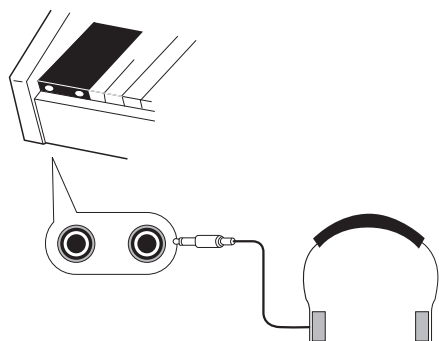
or one end is standard plug while the other end is two needle shaped plug ( for instance : for DCD ) , is used to connect tone source output unit and digital keyboard , and when you switch on power switches of tone source instrument and digital keyboard, you can play music on the tone source instrument of the digital keyboard, or you can also play music while play the musical instrument

### USB / MIDI Interfaces

MIDI is initial letters of Musical Instrument Digital Interface in English. MIDI is the standard connecting system of communication between digital keyboard and music instrument with MIDI USB or MIDI interfaces of this digital keyboard can be used to connected with music instrument accompanied with MIDI and computer.

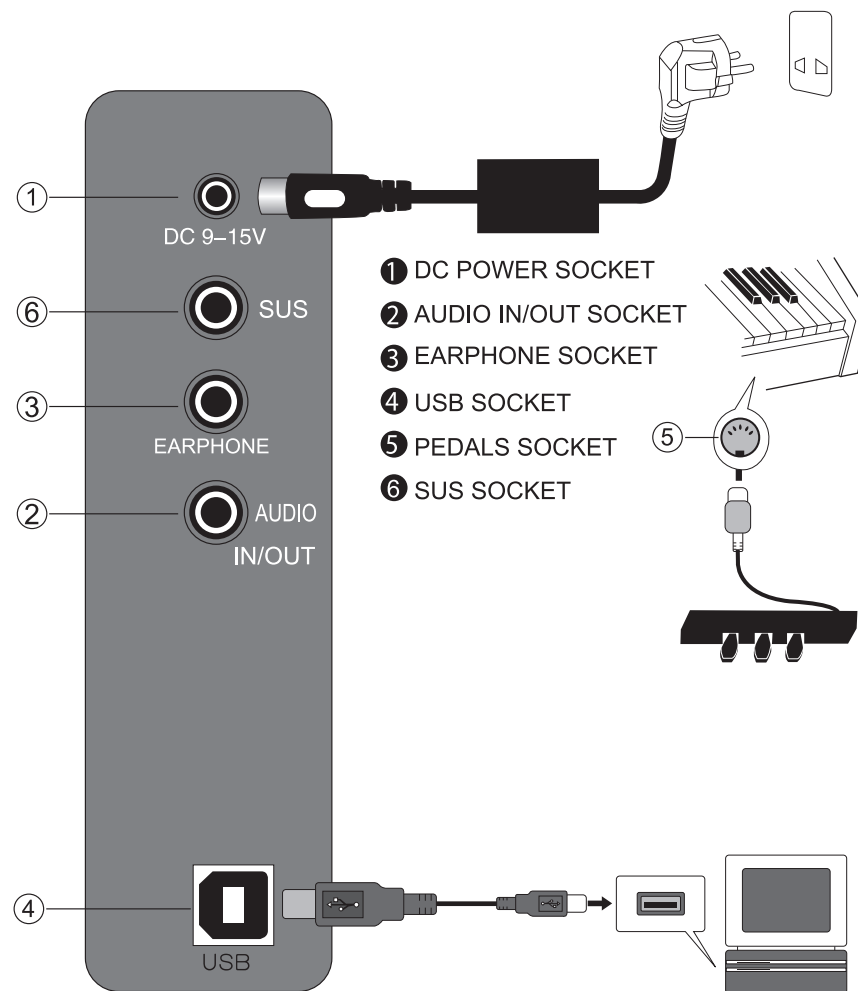
### Earphone Output Terminal

This product has two earphone output faucets, and turn down volume of the digital keyboard at first before connecting earphone. Adjust the volume to the satisfactory level after connection



Two earphone faucets

## JACK SOCKET



## Basic Operation

### Piano performance

1. Press the power switch, Digital display "001" and then you can enter the playing state.
2. Play music on the piano keys.

### Volume adjustment

Use the volume knob to increase or decrease the volume until you are satisfied.

### Timbre selection

1. Press "Tone" button, enter timbre mode.
2. Press "select +" or "select -" to select any timbre, and the corresponding timbre number will be displayed digitally.
3. When the power switch is turned on, it is preset to the piano tone

### Rhythm selection

1. Press the "Rhythm" button, enters the rhythm mode.
2. Press "Select+" or "Select-" to select any rhythm, digital display of the corresponding rhythm number.
3. Press the "Start/Stop" key to start playing the selected rhythm.  
to stop the rhythm play press "Start/Stop".

### Speed adjustment

1. Press the "TEMPO" button and press "Select+" or "Select-" to adjust the speed and speed.
2. Speed control range (20-280), power-up preset in paragraph 120.

### Chord accompaniment

1. Select the desired rhythm to play.
2. Press the "chord" buttons at the same time to enter the chord state.
3. Playing chords can be played differently on the accompaniment keyboard (1-34 keys from left) according to different fingering.
4. Press the "chord" buttons again to turn off the chord function.

### Synchronous start

Select the rhythm to use before beginning, set the speed value and select the chord accompaniment.

1. In the rhythmic state, press the "synch" button to enter the synchronous start state.
2. Play chords (1-34 keys from the left of the keyboard), and the accompaniment will start playing automatically.
3. To cancel the synchronization function, press the "start/stop" button.

### Setting/strength function

1. Press the "SETTING" button for the first time, and then press "select +" or "select -" to turn the force on or off.
2. Press the "SETTING" button for the second time, and then press "select +" or "select -" to select different rhythm volume (0-32).
3. Press the "SETTING" button for the third time, and then press "select +" or "select -" to select different shifts (-12—12).

### Metronome features

Press the metronome button, the light lights up, the metronome function starts, and then press the key metronome function off.

## Built-in Demo Song

1. Press the "demo" button to display the current demo number and start playing the demo. Press this key again to stop.
2. After entering the demo mode, you can also select different demo songs by "select +" or "select -".

## Recording

1. Key disc note recording  
Press the " REC " buttons simultaneously to digitally display "REC" into recording mode, recording 5000 notes.
2. Press the "play" button to digitally display "PLY" to play the recorded notes.

## SPLIT

1. Enter the timbre mode first and choose an instrument as the main timbre.
2. Press the "SPLIT" button to enter the timbre selection mode.
3. Use "SELECT +" or "SELECT -" to select another instrument as the split tone.
4. Play notes on the key disc. At this time, play notes on the left and right sides of the key disc and make corresponding musical instrument sounds.
5. Press the "SPLIT" button again to cancel the segmentation of the key disk and return to the normal keyboard state.

## The dual tone

1. Enter the timbre mode first and choose an instrument as the main timbre.
2. Press the "DUAL" button to enter the second tone selection mode.
3. Use "SELECT +" or "SELECT -" to select another instrument as the second tone.
4. Play notes on the key disc, in which case two corresponding resonant sounds can be produced simultaneously.
5. Press the "DUAL" button again to return to the normal tone state.

## MP3 Play

1. Plug the flash drive with MP3-format songs into the "USB" socket.
2. Press the "Play/Stop" button to play or stop MP3 songs.
3. During playback, you can press "Previous" or "Next Song" to select different MP3 songs.

## TONE LIST:

| Number | Instrument        |         |                 |
|--------|-------------------|---------|-----------------|
| PIANO  |                   | 029     | GUITAR MUTED 1  |
| 001    | GRAND PIANO 1     | 030     | GUITAR OVRDRV   |
| 002    | BRIGHT PIANO 1    | 031     | GUITAR DISTRT 1 |
| 003    | PIANO ELEC        | 032     | GUITAR HRMNX    |
| 004    | HONKY-TONK        | BASS    |                 |
| 005    | E PIANO1          | 033     | ACOUSTIC BASS 1 |
| 006    | E PIANO2          | 034     | FINGER BASS 1   |
| 007    | GRAND HARPSICHORD | 035     | ELECT BASS 1    |
| 008    | CLAVI CHORD 1     | 036     | FRETLS BASS     |
| GLOCK  |                   | 037     | SLAP BASS 1     |
| 009    | CELESTA           | 038     | SLAP BASS 2     |
| 010    | GLOCKENSPIEL 1    | 039     | SYN BASS 1      |
| 011    | MUSIC BOX 1       | 040     | SYN BASS 2      |
| 012    | VIBRAPHONE 1      | STRING  |                 |
| 013    | MARIMBA 1         | 041     | VIOLIN 1        |
| 014    | XYLOPHONE 1       | 042     | VIOLA 1         |
| 015    | TUBULR BELLS 1    | 043     | CELLO 1         |
| 016    | DULCIMER 1        | 044     | CONTRABASS 1    |
| ORGAN  |                   | 045     | STR TREM 1      |
| 017    | HAND ORGAN 1      | 046     | STR PIZZ        |
| 018    | PERCHY ORGAN 1    | 047     | HARP 1          |
| 019    | ROCK ORGAN        | 048     | TIMPANI 1       |
| 020    | CHURCH ORGAN 1    | CONCERT |                 |
| 021    | REED ORGAN 1      | 049     | STRINGS 1       |
| 022    | ACCORDN 1         | 050     | STRINGS 2       |
| 023    | HARMONICA 1       | 051     | STR SYN 1       |
| 024    | TANGO ACCORDN 1   | 052     | STR SYN 2       |
| GUITAR |                   | 053     | CHOIR AAHS 1    |
| 025    | GUITAR NYLON 1    | 054     | VOICE OOHs 1    |
| 026    | GUITAR STEEL 1    | 055     | VOICE SYN       |
| 027    | GUITAR JAZZ 1     | 056     | ORCH HIT 1      |
| 028    | GUITAR CLEAN 1    | BRASS   |                 |
|        |                   | 057     | TRUMPT 1        |
|        |                   | 058     | TROMBONE 1      |
|        |                   | 059     | TUBA 1          |
|        |                   | 060     | MUTE TPT 1      |
|        |                   | 061     | FR HORN 1       |
|        |                   | 062     | BRASS SECT 1    |
|        |                   | 063     | BRASS SYN 1     |
|        |                   | 064     | BRASS SYN 2     |
|        |                   | PIPE    |                 |

# USER MANUAL

|              |              |            |                    |
|--------------|--------------|------------|--------------------|
| 065          | SAX SOPRANO  | 101        | BRIGHT FX          |
| 066          | SAX ALTO 1   | 102        | GOBLIN FX          |
| 067          | SAX TENOR 1  | 103        | ECHO FX            |
| 068          | SAX BTONE 1  | 104        | SCI-FI FX          |
| 069          | OBOE 1       | FOLK SOUND |                    |
| 070          | ENG HORN 1   | 105        | SITAR 1            |
| 071          | BASSON 1     | 106        | BANJO 1            |
| 072          | CLARINET 1   | 107        | SHAMISEN 1         |
| WOODPIPE     |              | 108        | KOTO 1             |
| 073          | PICCOLO 1    | 109        | KALIMBA            |
| 074          | FLUTE 1      | 110        | BAGPIPE            |
| 075          | RECORDER 1   | 111        | FIDDLE             |
| 076          | PAN FLUTE    | 112        | SHANAI             |
| 077          | BOTTLE BLOWN | PERCUSSION |                    |
| 078          | SHAKHACHI    | 113        | TINKLE BELL        |
| 079          | WHISTLE 1    | 114        | AGOGO              |
| 080          | OCARINA      | 115        | STEEL DRM          |
| SYNTH PIPE   |              | 116        | WOODBK             |
| 081          | SQR WAVE     | 117        | TAIKO DRM          |
| 082          | SAW TOOTH    | 118        | MLDY TOM           |
| 083          | CALLIOPE     | 119        | SYNTH DRM          |
| 084          | CHIFF        | 120        | REVR5 CYM          |
| 085          | CHARANG      | EFFECT     |                    |
| 086          | VOICE        | 121        | GTR NOISE          |
| 087          | FIFTHS       | 122        | BREATH 1           |
| 088          | BASS LEAD    | 123        | SEASHORE           |
| SYNTH VOICE  |              | 124        | BIRD TWEET 1       |
| 089          | NEW AGE      | 125        | TELEPHONE          |
| 090          | WARM PAD     | 126        | HELICOPTER         |
| 091          | POLY SYNTH   | 127        | APPLAUSE           |
| 092          | CHOIR PAD 1  | 128        | GUNSHOT 1          |
| 093          | BOW GLASS 1  |            |                    |
| 094          | METAL PAD 1  | 129        | GRAND PIANO2       |
| 095          | HALO PAD 1   | 130        | GRAND PIANO3       |
| 096          | SWEEP        | 131        | GRAND PIANO4       |
| SYNTH EFFECT |              | 132        | GRAND PIANO /W 1   |
| 097          | RAIN FX      | 133        | GRAND PIANO /W 2   |
| 098          | SNDTRK FX    | 134        | GRAND PIANO /W 3   |
| 099          | CRYSTAL FX   | 135        | BRIGHTNESS PIANO 1 |
| 100          | ATMOSPH FX   | 136        | BRIGHTNESS PIANO 2 |
|              |              | 137        | BRIGHTNESS PIANO 3 |

# USER MANUAL

|     |                             |     |                      |
|-----|-----------------------------|-----|----------------------|
| 138 | GRAND PIANO DARK 1          | 178 | HONKY-TONK /W 3      |
| 139 | GRAND PIANO DARK 2          | 179 | HONKY-TONK /W 4      |
| 140 | VELOCITY CROSS PIANO 1      | 180 | SHORT HONKY-TONK 1   |
| 141 | VELOCITY CROSS PIANO 2      | 181 | SHORT HONKY-TONK 2   |
| 142 | SOFT GRAND PIANO 1          | 182 | E PIANO 1/W          |
| 143 | SOFT GRAND PIANO 2          | 183 | E PIANO 2/W          |
| 144 | SOFT GRAND PIANO 3          | 184 | E PIANO 3/W          |
| 145 | STEREO BRIGHT PIANO         | 185 | E PIANO 4/W          |
| 146 | BRIGHT PIANO 2              | 186 | E PIANO 5/W          |
| 147 | BRIGHT PIANO 3              | 187 | E PIANO 6/W          |
| 148 | BRIGHT PIANO 4              | 188 | SOFT E.PIANO 1       |
| 149 | BRIGHT PIANO 5              | 189 | SOFT E.PIANO 2       |
| 150 | BRIGHT PIANO /W 1           | 190 | SOFT E.PIANO 3       |
| 151 | BRIGHT PIANO /W 2           | 191 | SOFT E.PIANO 4       |
| 152 | SOFT BRIGHT PIANO 1         | 192 | HARD E.PIANO 1       |
| 153 | SOFT BRIGHT PIANO 2         | 193 | HARD E.PIANO 2       |
| 154 | DEEP BRIGHT PIANO           | 194 | SHORT E.PIANO 1      |
| 155 | VELOCITY CROSS BRIGHT PIANO | 195 | SHORT E.PIANO 2      |
| 156 | DETUNED E.PIANO 1           | 196 | BRIGHTNESS E.P 1     |
| 157 | DETUNED E.PIANO 2           | 197 | BRIGHTNESS E.P 2     |
| 158 | DETUNED E.PIANO 3           | 198 | HARPSICHORD 1        |
| 159 | BRIGHT E.PIANO 1            | 199 | HARPSICHORD 2        |
| 160 | BRIGHT E.PIANO 2            | 200 | SOFT HARPSICHORD 1   |
| 161 | BRIGHT E.PIANO 3            | 201 | SOFT HARPSICHORD 2   |
| 162 | BRIGHT E.PIANO 4            | 202 | BRIGHT HARPSICHORD 1 |
| 163 | E.PIANO /W 1                | 203 | BRIGHT HARPSICHORD 2 |
| 164 | E.PIANO /W 2                | 204 | DARK HARPSICHORD 1   |
| 165 | E.PIANO /W 3                | 205 | DARK HARPSICHORD 2   |
| 166 | E.PIANO /W 4                | 206 | HARD HARPSICHORD 1   |
| 167 | DARK E.PIANO 1              | 207 | HARD HARPSICHORD 2   |
| 168 | DARK E.PIANO 2              | 208 | CLAVI CHORD 2        |
| 169 | DARK E.PIANO 3              | 209 | CLAVI CHORD 3        |
| 170 | DARK E.PIANO 4              | 210 | CLAVI /W             |
| 171 | SOFT HONKY-TONK 1           | 211 | BRIGHT CLAVI         |
| 172 | SOFT HONKY-TONK 2           | 212 | DARK CLAVI           |
| 173 | VELOCITY CROSS HONKY-TONK   | 213 | PERCHY CLAVI         |
| 174 | DARK HONKY-TONK 1           | 214 | BRIGHT CELESTA       |
| 175 | DARK HONKY-TONK 2           | 215 | SHORT CELESTA        |
| 176 | HONKY-TONK /W 1             | 216 | PERCHY CELESTA       |
| 177 | HONKY-TONK /W 2             | 217 | DUET CELESTA         |



# USER MANUAL

|     |                          |
|-----|--------------------------|
| 218 | CELESTA HARMONIC         |
| 219 | GLOCKENSPIEL 2           |
| 220 | GLOCKENSPIEL 3           |
| 221 | GLOCKENSPIEL 4           |
| 222 | BRIGHT GLOCKENSPIEL      |
| 223 | DARK GLOCKENSPIEL        |
| 224 | GLOCKENSPIEL /W 1        |
| 225 | GLOCKENSPIEL /W 2        |
| 226 | MUSIC BOX 2              |
| 227 | MUSIC BOX 3              |
| 228 | MUSIC BOX 4              |
| 229 | TOY MUSIC BOX            |
| 230 | BRIGHT MUSIC BOX         |
| 231 | DARK MUSIC BOX           |
| 232 | VIBRAPHONE 2             |
| 233 | VIBRAPHONE 3             |
| 234 | SYN VIBRAPHONE           |
| 235 | HARD VIBRAPHONE          |
| 236 | VIBRAPHONE /W 1          |
| 237 | VIBRAPHONE /W 2          |
| 238 | VIBRAPHONE SOFT          |
| 239 | MARIMBA 2                |
| 240 | MARIMBA /W               |
| 241 | DARK MARIMBA             |
| 242 | BRIGHT MARIMBA           |
| 243 | DUTED MARIMBA            |
| 244 | DARK MARIMBA             |
| 245 | XYLOPHONE 2              |
| 246 | XYLOPHONE 3              |
| 247 | VELOCITY CROSS XYLOPHONE |
| 248 | DISTR XYLOPHONE          |
| 249 | BRIGHT XYLOPHONE         |
| 250 | FAST XYLOPHONE           |
| 251 | SLOW XYLOPHONE           |
| 252 | TUBULR BELLS 2           |
| 253 | TUBULR BELLS 3           |
| 254 | TUBULR BELLS 4           |
| 255 | SYN TUBULR BELLS         |
| 256 | TUBULR BELLS DARK        |
| 257 | DULCIMER 2               |
| 258 | DULCIMER 3               |

|     |                         |
|-----|-------------------------|
| 259 | SANTUR                  |
| 260 | HAND ORGAN 2            |
| 261 | HAND ORGAN 3            |
| 262 | SOFT HAND ORGAN         |
| 263 | BRIGHT SOFT HAMND ORGAN |
| 264 | HAMND ORGAN DETUNED     |
| 265 | PERCHY ORGAN 2          |
| 266 | PERCHY ORGAN 3          |
| 267 | BRIGHT PERCHY ORGAN     |
| 268 | DISTR PERCHY ORGAN      |
| 269 | ROTART ORGAN            |
| 270 | SLOW ROTART ORGAN       |
| 271 | 1960 ROCK ORGAN         |
| 272 | 1980 ROCK ORGAN         |
| 273 | BRIGHT ROCK ORGAN       |
| 274 | DARK ROCK ORGAN         |
| 275 | SOFT ROCK ORGAN         |
| 276 | CHURCH ORGAN 2          |
| 277 | CHURCH ORGAN 3          |
| 278 | CHURCH ORGAN 4          |
| 279 | CHURCH ORGAN 5          |
| 280 | CHURCH ORGAN 6          |
| 281 | CHURCH ORGAN /W 1       |
| 282 | CHURCH ORGAN /W 2       |
| 283 | BIRGHT CHURCH ORGAN 1   |
| 284 | BIRGHT CHURCH ORGAN 2   |
| 285 | DARK CHURCH ORGAN 1     |
| 286 | DARK CHURCH ORGAN 2     |
| 287 | SOUL CHURCH ORGAN       |
| 288 | CHURCH ORGAN HARMONIC   |
| 289 | CHURCH ORGAN SLOW       |
| 290 | CHURCH ORGAN FAST       |
| 291 | SOFT CHURCH ORGAN       |
| 292 | REED ORGAN 2            |
| 293 | REED ORGAN 3            |
| 294 | REED ORGAN 4            |
| 295 | REED ORGAN 5            |
| 296 | BRIGHT REED ORGAN       |
| 297 | DARK REED ORGAN         |
| 298 | REED ORGAN /W           |
| 299 | FAST REED ORGAN         |

# USER MANUAL

|     |                      |
|-----|----------------------|
| 300 | SLOW REED ORGAN      |
| 301 | SOFT REED ORGAN      |
| 302 | HARD REED ORGAN      |
| 303 | JAZZ REED ORGAN      |
| 304 | ACCORDN 2            |
| 305 | ACCORDN 3            |
| 306 | ACCORDN 4            |
| 307 | ACCORDN 5            |
| 308 | DISTR ACCORDN        |
| 309 | BRIGHT ACCORDN       |
| 310 | ACCORDN HARMONIC     |
| 311 | ROCK ACCORDN         |
| 312 | SWEET ACCORDN        |
| 313 | DARK ACCORDN         |
| 314 | FAST ACCORDN         |
| 315 | SLOW ACCORDN         |
| 316 | HARMONICA 2          |
| 317 | HARMONICA 3          |
| 318 | HARMONICA 4          |
| 319 | HARMONICA 5          |
| 320 | SWEET HARMONICA      |
| 321 | DISTR HARMONICA      |
| 322 | SLOW HARMONICA       |
| 323 | FAST HARMONICA       |
| 324 | BRIGHT HARMONICA     |
| 325 | DARK HARMONICA       |
| 326 | SOFT HARMONICA       |
| 327 | HARMONICA /W 1       |
| 328 | HARMONICA /W 2       |
| 329 | HARMONICA MUTED      |
| 330 | TANGO ACCORDN 2      |
| 331 | TANGO ACCORDN 3      |
| 332 | 1960 TANGO ACCORDN   |
| 333 | 1980 TANGO ACCORDN   |
| 334 | BRIGHT TANGO ACCORDN |
| 335 | DARK TANGO ACCORDN   |
| 336 | SOFT TANGO ACCORDN   |
| 337 | HARD TANGO ACCORDN   |
| 338 | TANGO ACCORDN /W 1   |
| 339 | TANGO ACCORDN /W 2   |
| 340 | SLOW TANGO ACCORDN   |

|     |                             |
|-----|-----------------------------|
| 341 | FAST TANGO ACCORDN          |
| 342 | GUITAR NYLON 2              |
| 343 | GUITAR NYLON 3              |
| 344 | GUITAR NYLON 4              |
| 345 | GUITAR NYLON 5              |
| 346 | GUITAR NYLON 6              |
| 347 | GUITAR NYLON 7              |
| 348 | GUITAR NYLON RELEASE        |
| 349 | VELOCITY CROSS RUITAR       |
| 350 | DETUNED GUITAR NYLON        |
| 351 | BIRGHT GUITAR NYLON         |
| 352 | DARK GUITAR NYLON           |
| 353 | GUITAR NYLON HARMONIC 1     |
| 354 | GUITAR NYLON HARMONIC 2     |
| 355 | GUITAR NYLON /W 1           |
| 356 | GUITAR NYLON /W 2           |
| 357 | GUITAR NYLON FAST           |
| 358 | GUITAR NYLON SLOW           |
| 359 | HARD GUITAR NYLON           |
| 360 | SOFT GUITAR NYLON           |
| 361 | GUITAR STEEL 2              |
| 362 | GUITAR STEEL 3              |
| 363 | GUITAR STEEL 4              |
| 364 | VELOCITY CROSS GUITAR STEEL |
| 365 | DARK GUITAR STEEL           |
| 366 | BRIGHT GUITAR STEEL         |
| 367 | GUITAR STEEL HARMONIC 1     |
| 368 | GUITAR STEEL HARMONIC 2     |
| 369 | HARD GUITAR STEEL           |
| 370 | SOFT GUITAR STEEL           |
| 371 | FAST GUITAR STEEL           |
| 372 | SLOW GUITAR STEEL           |
| 373 | VELOCITY GUITAR STEEL       |
| 374 | GUITAR STEEL REALSE         |
| 375 | GUITAR STEEL /W 1           |
| 376 | GUITAR STEEL /W 2           |
| 377 | GUITAR JAZZ 2               |
| 378 | GUITAR JAZZ 3               |
| 379 | GUITAR JAZZ 4               |
| 380 | GUITAR JAZZ 5               |

# USER MANUAL

|     |                       |
|-----|-----------------------|
| 381 | DARK GUITAR JAZZ      |
| 382 | BRIGHT GUITAR JAZZ    |
| 383 | SOFT GUITAR JAZZ      |
| 384 | HARD GUITAR JAZZ      |
| 385 | GUITAR JAZZ VELOCITY  |
| 386 | GUITAR JAZZ RELEASE   |
| 387 | GUITAR JAZZ HARMONIC  |
| 388 | SOFT GUITAR JAZZ      |
| 389 | GUITAR JAZZ /W 1      |
| 390 | GUITAR JAZZ /W 2      |
| 391 | GUITAR CLEAN 2        |
| 392 | GUITAR CLEAN 3        |
| 393 | GUITAR CLEAN 4        |
| 394 | GUITAR CLEAN 5        |
| 395 | VELOCITY CLEAN GUITAR |
| 396 | DUTED CLEAN GUITAR    |
| 397 | BRIGHT CLEAN GUITAR   |
| 398 | CLEAN GUITAR HARMONIC |
| 399 | CLEAN GUITAR /W 1     |
| 400 | CLEAN GUITAR /W 2     |
| 401 | SOFT CLEAN GUITAR     |
| 402 | FAST CLEAN GUITAR     |
| 403 | SLOW CLEAN GUITAR     |
| 404 | CLEAN GUITAR RELEASE  |
| 405 | GUITAR MUTED 2        |
| 406 | GUITAR MUTED 3        |
| 407 | GUITAR MUTED 4        |
| 408 | GUITAR MUTED 5        |
| 409 | BRIGHT GUITAR MUTED   |
| 410 | DARK GUITAR MUTED     |
| 411 | GUITAR MUTED HARMONIC |
| 412 | GUITAR MUTED RELEASE  |
| 413 | GUITAR MUTED CHORUS   |
| 414 | GUITAR MUTED HARD     |
| 415 | GUITAR MUTED SOFT     |
| 416 | GUITAR MUTED /W 1     |
| 417 | GUITAR MUTED /W 2     |
| 418 | GUITAR OVRDRV 2       |
| 419 | GUITAR OVRDRV 3       |
| 420 | GUITAR OVRDRV 4       |
| 421 | FUNK GUITAR           |

|     |                        |
|-----|------------------------|
| 422 | GUITAR OVRDRV HARMONIC |
| 423 | BRIGHT GUITAR OVRDRV   |
| 424 | DARK GUITAR OVRDRV     |
| 425 | GUITAR OVRDRV RELEASE  |
| 426 | HARD GUITAR OVRDRV     |
| 427 | SOFT GUITAR OVRDRV     |
| 428 | GUITAR OVRDRV /W 1     |
| 429 | GUITAR OVRDRV /W 2     |
| 430 | GUITAR DISTRT 2        |
| 431 | GUITAR DISTRT 3        |
| 432 | GUITAR DISTRT 4        |
| 433 | GUITAR DISTRT 5        |
| 434 | GUITAR DISTRT 6        |
| 435 | GUITAR DISTRT HARMONIC |
| 436 | GUITAR DISTRT RELEASE  |
| 437 | BRIGHT GUITAR DISTRT   |
| 438 | DARK GUITAR DISTRT     |
| 439 | SOFT GUITAR DISTRT     |
| 440 | HARMONIC GUITAR DISTRT |
| 441 | HARD GUITAR DISTRT     |
| 442 | GUITAR DISTRT /W 1     |
| 443 | GUITAR DISTRT /W 2     |
| 444 | SOFT GUITAR HRMNX      |
| 445 | HARD GUITAR HRMNX      |
| 446 | BRIGHT GUITAR HRMNX    |
| 447 | DARK GUITAR HRMNX      |
| 448 | FAST GUITAR HRMNX      |
| 449 | SLOW GUITAR HRMNX      |
| 450 | GUITAR HRMNX RELEASE   |
| 451 | GUITAR HRMNX /W 1      |
| 452 | GUITAR HRMNX /W 2      |
| 453 | ACOUSTIC BASS 2        |
| 454 | ACOUSTIC BASS 3        |
| 455 | ACOUSTIC BASS 4        |
| 456 | ACOUSTIC BASS 5        |
| 457 | DETUNED BASS           |
| 458 | BASS AND FILTER        |
| 459 | SOFT BASS              |
| 460 | BASS & RELEASE         |
| 461 | FAST BASS              |
| 462 | SLOW BASS              |

# USER MANUAL

|     |                      |
|-----|----------------------|
| 463 | BRIGHT BASS          |
| 464 | DARK BASS            |
| 465 | BASS /W 1            |
| 466 | BASS /W 2            |
| 467 | FINGER BASS 2        |
| 468 | FINGER BASS HARMONIC |
| 469 | SOFT FINGER BASS     |
| 470 | FINGER BASS RELEASE  |
| 471 | ELECT BASS 2         |
| 472 | ELECT BASS 3         |
| 473 | ELECT BASS 4         |
| 474 | ELECT BASS 5         |
| 475 | ELECT BASS 6         |
| 476 | ELECT BASS RELEASE   |
| 477 | ELECT BASS HARMONIC  |
| 478 | SOFT ELECT BASS      |
| 479 | FAST ELECT BASS      |
| 480 | PICK BASS            |
| 481 | BRIGHT ELECT BASS 1  |
| 482 | BRIGHT ELECT BASS 2  |
| 483 | DARK ELECT BASS 1    |
| 484 | DARK ELECT BASS 2    |
| 485 | SOFT FRETLS BASS     |
| 486 | FAST FRETLS BASS     |
| 487 | FRETLS BASS RELEASE  |
| 488 | FRETLS BASS HARMONIC |
| 489 | FRETLESS BASS        |
| 490 | FAST FRETLESS BASS   |
| 491 | SLAP BASS 3          |
| 492 | SLAP BASS 4          |
| 493 | SLAP BASS 5          |
| 494 | SLAP BASS 6          |
| 495 | BRIGHT SLAP BASS 1   |
| 496 | BRIGHT SLAP BASS 2   |
| 497 | DARK SLAP BASS 1     |
| 498 | DARK SLAP BASS 2     |
| 499 | SOFT SLAP BASS 1     |
| 500 | SOFT SLAP BASS 2     |
| 501 | FAST SLAP BASS 1     |
| 502 | FAST SLAP BASS 2     |
| 503 | SLOW SLAP BASS 1     |

|     |                      |
|-----|----------------------|
| 504 | SLOW SLAP BASS 2     |
| 505 | SLAP BASS HARMONIC 1 |
| 506 | SLAP BASS HARMONIC 2 |
| 507 | SLAP BASS RELEASE 1  |
| 508 | SLAP BASS RELEASE 2  |
| 509 | SYN BASS 3           |
| 510 | SYN BASS 4           |
| 511 | SYN BASS 5           |
| 512 | SYN BASS 6           |
| 513 | SYN BASS HARMONIC 1  |
| 514 | SYN BASS HARMONIC 2  |
| 515 | FAST SYN BASS 1      |
| 516 | FAST SYN BASS 2      |
| 517 | SOFT SYN BASS 1      |
| 518 | SOFT SYN BASS 2      |
| 519 | SLOW SYN BASS 1      |
| 520 | SLOW SYN BASS 2      |
| 521 | FAST SYN BASS 1      |
| 522 | FAST SYN BASS 2      |
| 523 | BRIGHT SYN BASS 1    |
| 524 | BRIGHT SYN BASS 2    |
| 525 | DARK SYN BASS 1      |
| 526 | DARK SYN BASS 2      |
| 527 | SYN BASS RELEASE 1   |
| 528 | SYN BASS RELEASE 2   |
| 529 | VIOLIN 2             |
| 530 | VIOLIN 3             |
| 531 | VIOLIN 4             |
| 532 | VIOLIN 5             |
| 533 | VIOLIN ENSEMBLE 1    |
| 534 | VIOLIN ENSEMBLE 2    |
| 535 | SLOW VIOLIN          |
| 536 | FAST VOLIN           |
| 537 | VOLIN /W             |
| 538 | BRIGHT VOLIN         |
| 539 | DARK VOLIN           |
| 540 | SOFT VOLIN           |
| 541 | VIOLA 2              |
| 542 | VIOLA 3              |
| 543 | VIOLA 4              |
| 544 | DARK VIOLA           |



# USER MANUAL

|     |                        |
|-----|------------------------|
| 545 | HARD VIOLA             |
| 546 | VIOLA ENSEMBLE         |
| 547 | SLOW VIOLA             |
| 548 | VIOLA VIBRATO          |
| 549 | VIOLA /W               |
| 550 | BRIGHT VIOLA           |
| 551 | FAST VIOLA             |
| 552 | SOFT VIOLA             |
| 553 | CELLO 2                |
| 554 | CELLO 3                |
| 555 | CELLO 4                |
| 556 | DARK CELLO             |
| 557 | HARD CELLO             |
| 558 | CELLO ENSEMBLE 1       |
| 559 | CELLO ENSEMBLE 2       |
| 560 | SLOW CELLO             |
| 561 | FAST CELLO             |
| 562 | CELLO /W               |
| 563 | BRIGHT CELLO           |
| 564 | SOFT CELLO             |
| 565 | CONTRABASS 2           |
| 566 | CONTRABASS 3           |
| 567 | CONTRABASS 4           |
| 568 | CONTRA BASS ENSEMBLE 1 |
| 569 | CONTRA BASS ENSEMBLE 2 |
| 570 | CONTRA BASS ENSEMBLE 3 |
| 571 | CONTRA BASS ENSEMBLE 4 |
| 572 | DARK CONTRA BASS       |
| 573 | CONTRA BASS VIBRATO    |
| 574 | STR TREM 2             |
| 575 | STR TREM 3             |
| 576 | STR TREM 4             |
| 577 | STR TREM SLOW          |
| 578 | STR TREM FAST          |
| 579 | STR TREM /W            |
| 580 | BRIGHT STR TREM        |
| 581 | DARK STR TREM          |
| 582 | SOFT STR TREM          |
| 583 | BRIGHT STR PIZZ        |
| 584 | DARK STR PIZZ          |
| 585 | STR PIZZ HARMONIC      |

|     |                  |
|-----|------------------|
| 586 | STR PIZZ /W      |
| 587 | FAST STR PIZZ    |
| 588 | SLOW STR PIZZ    |
| 589 | SOFT STR PIZZ    |
| 590 | METAL STR PIZZ   |
| 591 | HARP 2           |
| 592 | HARP 3           |
| 593 | HARP 4           |
| 594 | HARP /W 1        |
| 595 | HARP /W 2        |
| 596 | BRIGHT HARP 1    |
| 597 | BRIGHT HARP 2    |
| 598 | DARK HARP 1      |
| 599 | DARK HARP 2      |
| 600 | HARP HARMONIC    |
| 601 | SOFT HARMONIC    |
| 602 | TIMPANI 2        |
| 603 | TIMPANI 3        |
| 604 | TIMPANI 4        |
| 605 | TIMPANI /W 1     |
| 606 | TIMPANI /W 2     |
| 607 | BRIGHT TIMPANI   |
| 608 | DARK TIMPANI     |
| 609 | STRINGS 3        |
| 610 | STRINGS 4        |
| 611 | STRINGS 5        |
| 612 | STRINGS 6        |
| 613 | SLOW STRINGS 1   |
| 614 | SLOW STRINGS 2   |
| 615 | FAST STRINGS 1   |
| 616 | FAST STRINGS 2   |
| 617 | DARK STINGS 1    |
| 618 | DARK STINGS 2    |
| 619 | BRIGHT STINGS 1  |
| 620 | BRIGHT STINGS 2  |
| 621 | RESONANT STRINGS |
| 622 | SFORZATO STRINGS |
| 623 | STR SYN 3        |
| 624 | STR SYN 4        |
| 625 | STR SYN 5        |
| 626 | STR SYN 6        |

# USER MANUAL

|     |                       |
|-----|-----------------------|
| 627 | 1960 STRINGS          |
| 628 | 1970 STRINGS          |
| 629 | SLOW STRINGS 1        |
| 630 | SLOW STRINGS 2        |
| 631 | FAST STRINGS 1        |
| 632 | FAST STRINGS 2        |
| 633 | LEGATO STRINGS 1      |
| 634 | LEGATO STRINGS 2      |
| 635 | BRIGHT LEGATO STRINGS |
| 636 | DARK LEGATO STRINGS   |
| 637 | CHOIR AAHS 2          |
| 638 | CHOIR AAHS 3          |
| 639 | CHOIR AAHS 4          |
| 640 | CHOIR AAHS 5          |
| 641 | WARM CHOIR AAHS       |
| 642 | CHOIR AAHS /W 1       |
| 643 | CHOIR AAHS /W 2       |
| 644 | CHOIR AAHS HARMONIC   |
| 645 | BRIGHT CHOIR AAHS     |
| 646 | DARK CHOIR AAHS       |
| 647 | FAST CHOIR AAHS       |
| 648 | SLOW CHOIR AAHS       |
| 649 | VOICE OOHS 2          |
| 650 | WARM VOICE OOHS 1     |
| 651 | WARM VOICE OOHS 2     |
| 652 | VOICE OOHS /W         |
| 653 | BRIGHT VOICE OOHS     |
| 654 | DARK VOICE OOHS       |
| 655 | FAST VOICE OOHS       |
| 656 | SLOW VOICE OOHS       |
| 657 | VOICE SYN HARMONIC    |
| 658 | SLOW VOICE SYN        |
| 659 | FAST VOICE SYN        |
| 660 | BRIGHT VOICE SYN      |
| 661 | ELE.VOICE SYN         |
| 662 | ORCH HIT 2            |
| 663 | ORCH HIT /W           |
| 664 | BRIGHT ORCH HIT       |
| 665 | ORCH HIT HARMONIC     |
| 666 | SLOW ORCH HIT         |
| 667 | FAST ORCH HIT         |

|     |                      |
|-----|----------------------|
| 668 | DARK ORCH HIT        |
| 669 | SOFT ORCH HIT        |
| 670 | TRUMPT 2             |
| 671 | TRUMPT 3             |
| 672 | TRUMPT 4             |
| 673 | TRUMPT 5             |
| 674 | TRUMPT 6             |
| 675 | TRUMPT 7             |
| 676 | DARK TRUMPT          |
| 677 | BRIGHT TRUMPT        |
| 678 | SWEET TRUMPT         |
| 679 | MUTE TRUMPT          |
| 680 | TRUMPT /W 1          |
| 681 | TRUMPT /W2           |
| 682 | TROMBONE 2           |
| 683 | TROMBONE 3           |
| 684 | TROMBONE 4           |
| 685 | TROMBONE 5           |
| 686 | TROMBONE 6           |
| 687 | TROMBONE 7           |
| 688 | DARK TROMBONE        |
| 689 | BRIGHT TROMBONE      |
| 690 | SLOW BRIGHT TROMBONE |
| 691 | MUTE TROMBONE        |
| 692 | TROMBONE /W          |
| 693 | TUBA 2               |
| 694 | TUBA 3               |
| 695 | TUBA 4               |
| 696 | TUBA 5               |
| 697 | TUBA 6               |
| 698 | SOFT TUBA            |
| 699 | SLOW TUBA            |
| 700 | TUBA SOLO            |
| 701 | TUBA /W              |
| 702 | BRIGHT TUBA          |
| 703 | DARK TUBA            |
| 704 | MUTE TUBA            |
| 705 | MUTE TPT 2           |
| 706 | DARK MUTE TPT        |
| 707 | BRIGHT MUTE TPT      |
| 708 | MUTE TPT /W          |

# USER MANUAL

|     |                    |
|-----|--------------------|
| 709 | SWEET MUTE TPT     |
| 710 | FR HORN 2          |
| 711 | FR HORN 3          |
| 712 | FR HORN 4          |
| 713 | FR HORN 5          |
| 714 | FR HORN 6          |
| 715 | SWEET FR HORN      |
| 716 | SLOW FR HORN       |
| 717 | FAST FR HORN       |
| 718 | BRIGHT FR HORN     |
| 719 | DARK FR HORN       |
| 720 | BRASS SECT 2       |
| 721 | BRASS SECT 3       |
| 722 | BRASS SECT 4       |
| 723 | BRASS SECT 5       |
| 724 | BRASS SECT 6       |
| 725 | DARK BRASS SECT    |
| 726 | BRASS SECT WELL    |
| 727 | BRIGHT BRASS SECT  |
| 728 | FAST BRASS SECT    |
| 729 | SLOW BRASS SECT    |
| 730 | BRASS SECT /W      |
| 731 | BRASS SYN 3        |
| 732 | BRASS SYN 4        |
| 733 | BRASS SYN 5        |
| 734 | BRASS SYN 6        |
| 735 | BRASS SYN 7        |
| 736 | SOFT BRASS SYN     |
| 737 | SFORZATO BRASS SYN |
| 738 | DARK BRASS SYN     |
| 739 | BRIGHT BRASS SYN   |
| 740 | WELL BRASS SYN     |
| 741 | MUTE BRASS SYN     |
| 742 | SWEET BRASS SYN    |
| 743 | HOMONIC BRASS SYN  |
| 744 | SLOW BRASS SYN     |
| 745 | FAST BRASS SYN     |
| 746 | SAX ALTO 2         |
| 747 | SAX ALTO 3         |
| 748 | SAX ALTO 4         |
| 749 | SAX ALTO 5         |

|     |                    |
|-----|--------------------|
| 750 | SAX ALTO 6         |
| 751 | SAX ALTO BRIGHT    |
| 752 | SAX ALTO MUTE      |
| 753 | SAX ALTO /W        |
| 754 | SOFT SAX ALTO      |
| 755 | SLOW SAX ALTO      |
| 756 | SWEET SAX ALTO     |
| 757 | SAX TENOR 2        |
| 758 | SAX TENOR 3        |
| 759 | SAX TENOR 4        |
| 760 | SAX TENOR 5        |
| 761 | SAX TENOR 6        |
| 762 | SWEET SAX TENOR    |
| 763 | DARK SAX TENOR     |
| 764 | SUPER SAX TENOR    |
| 765 | SAX TENOR /W 1     |
| 766 | SAX TENOR /W 2     |
| 767 | SAX TENOR HARMONIC |
| 768 | SAX TENOR BRIGHT   |
| 769 | SAX BTONE 2        |
| 770 | SAX BTONE 3        |
| 771 | SAX BTONE 4        |
| 772 | SAX BTONE 5        |
| 773 | SAX BTONE WELL     |
| 774 | MUTE SAX BTONE     |
| 775 | SWEET SAX BTONE    |
| 776 | DARK SAX BTONE     |
| 777 | OBOE 2             |
| 778 | OBOE 3             |
| 779 | OBOE 4             |
| 780 | OBOE 5             |
| 781 | SWEET OBOE         |
| 782 | OBOE WELL          |
| 783 | BRIGHT OBOE        |
| 784 | DARK OBOE          |
| 785 | MUTE OBOE          |
| 786 | ENG HORN 2         |
| 787 | ENG HORN 3         |
| 788 | ENG HORN 4         |
| 789 | ENG HORN 5         |
| 790 | ENG HORN 6         |

# USER MANUAL

|     |                   |
|-----|-------------------|
| 791 | ANALOG ENG HORN   |
| 792 | WOODWINDS         |
| 793 | BASSON 2          |
| 794 | BASSON 3          |
| 795 | BASSON 4          |
| 796 | BASSON 5          |
| 797 | BRIGHT BASSON     |
| 798 | DARK BASSON       |
| 799 | BASSON WELL       |
| 800 | BRIGHT BASSON     |
| 801 | MUTE BASSON       |
| 802 | SOFT BASSON       |
| 803 | CLARINET 2        |
| 804 | CLARINET 3        |
| 805 | CLARINET 4        |
| 806 | CLARINET 5        |
| 807 | CLARINET HARMONIC |
| 808 | DARK CLARINET     |
| 809 | BRIGHT CLARINET   |
| 810 | CLARINET WELL     |
| 811 | CLARINET MUTE     |
| 812 | CLARINET SOFT     |
| 813 | PICCOLO 2         |
| 814 | PICCOLO 3         |
| 815 | PICCOLO 4         |
| 816 | PICCOLO DARK      |
| 817 | PICCOLO HARMONIC  |
| 818 | BRIGHT PICCOLO    |
| 819 | SOFT PICCOLO      |
| 820 | FLUTE 2           |
| 821 | FLUTE 3           |
| 822 | FLUTE 4           |
| 823 | FLUTE HARMONIC    |
| 824 | DARK FLUTE        |
| 825 | BRIGHT FLUTE      |
| 826 | FLUTE MUTE        |
| 827 | SOFT FLUTE        |
| 828 | RECORDER 2        |
| 829 | RECORDER 3        |
| 830 | RECORDER 4        |
| 831 | PAN FLUTE SLOW    |

|     |                         |
|-----|-------------------------|
| 832 | PAN FLUTE FAST          |
| 833 | PAN FLUTE HARMONIC      |
| 834 | PAN FLUTE DUTE          |
| 835 | PAN FLUTE/W             |
| 836 | BRIGHT PAN FLUTE        |
| 837 | BOTTLE BLOWN DARK       |
| 838 | BOTTLE BLOWN BRIGHTNESS |
| 839 | BOTTLE BLOWN WARM       |
| 840 | SOFT BOTTLE BLOWN       |
| 841 | SHAKHACHI HARMONIC      |
| 842 | SHAKHACHI BRIGHT        |
| 843 | SHAKHACHI DARK          |
| 844 | SLOW SHAKHACHI          |
| 845 | FAST SHAKHACHI          |
| 846 | WHISTLE 2               |
| 847 | WHISTLE 3               |
| 848 | WHISTLE 4               |
| 849 | WHISTLE 5               |
| 850 | SQUARE                  |
| 851 | SINE LEAD               |
| 852 | SINE SLOW               |
| 853 | SINE FAST               |
| 854 | SAW SLOW                |
| 855 | SAW FAST                |
| 856 | SAW HARMONIC            |
| 857 | VOICE LEAD              |
| 858 | VOICE SLOW              |
| 859 | VOICE FAST              |
| 860 | SOFT 5TH LEAD           |
| 861 | 5TH LEAD                |
| 862 | MASSINESS               |
| 863 | BASS & LEAD             |
| 864 | NEW AGE SLOW            |
| 865 | NEW AGE FAST            |
| 866 | NEW AGE HARMONIC        |
| 867 | WARM PAD FAST           |
| 868 | WARM PAD SLOW           |
| 869 | WARM PAD HARMONIC       |
| 870 | PWM PAD                 |
| 871 | POLY SYNTH SLOW         |
| 872 | POLY SYNTH FAST         |

# USER MANUAL

|     |                    |
|-----|--------------------|
| 873 | CLICK PAD          |
| 874 | ANALOG PAD         |
| 875 | POLY PAD           |
| 876 | CHOIR PAD 2        |
| 877 | CHOIR PAD HARMONIC |
| 878 | BOW GLASS 2        |
| 879 | BOW GLASS HARMONIC |
| 880 | METAL PAD 2        |
| 881 | PAN PAD 1          |
| 882 | PAN PAD 2          |
| 883 | HALO PAD 2         |
| 884 | HALO PAD 3         |
| 885 | DISPERSE           |
| 886 | RISING             |
| 887 | CONGREGATE         |
| 888 | PROGENITOR         |
| 889 | PRELUDE            |
| 890 | WARM AIR           |
| 891 | SMOG               |
| 892 | PAN ECHO           |
| 893 | LARGE PAN          |
| 894 | ECHO SLOW          |
| 895 | FANTASYLAND        |
| 896 | SITAR 2            |
| 897 | SITAR 3            |
| 898 | SITAR 4            |
| 899 | DISTRIT SITAR      |
| 900 | BRIGHT SITAR       |

## RHYTHM LIST:

|          | Number | Instrument          |
|----------|--------|---------------------|
| 8 BEAT   | 001    | 8 Beat 1A           |
|          | 002    | 8 Beat 2A           |
|          | 003    | 8 Beat 3A           |
|          | 004    | 8 Beat 4A           |
|          | 005    | 8 Beat HeatA        |
|          | 006    | 8 Beat Pop 1A       |
|          | 007    | 8 Beat Pop 2A       |
| BALLAD   | 008    | Ballad 1A           |
|          | 009    | Ballad 2A           |
|          | 010    | Guitar BalladA      |
|          | 011    | Organ BalladA       |
|          | 012    | Bluse BalladA       |
|          | 013    | Epic BalladA        |
|          | 014    | Rock BalladA        |
|          | 015    | Slow BalladA        |
|          | 016    | Pop Ballad          |
|          | 017    | Electro Pop BalladA |
|          | 018    | Polk BalladA        |
| 16 BEAT  | 019    | 16 Beat 1A          |
|          | 020    | 16 Beat 2A          |
|          | 021    | 16 Beat 3A          |
|          | 022    | 16 Beat 4A          |
|          | 023    | 16 Beat FunkA       |
|          | 024    | 16 Beat Pop A       |
|          | 025    | 16 Beat BalladA     |
| LATIN    | 026    | Bossa Nova 1A       |
|          | 027    | Guitar BossaA       |
|          | 028    | Pop BossaA          |
|          | 029    | TangoA              |
|          | 030    | Cha ChaA            |
|          | 031    | RhumbaA             |
|          | 032    | TEX TEXA            |
| COUNTRY  | 033    | CountryA            |
|          | 034    | Country RockA       |
|          | 035    | Country ShuffleA    |
|          | 036    | Country SwingA      |
|          | 037    | Country BalladA     |
|          | 038    | Country WaltzA      |
| ROCK R&B | 039    | 50's RockA          |
|          | 040    | Heavy MetalA        |
|          | 041    | Rock 1A             |
|          | 042    | Rock 2A             |
|          | 043    | Soft RockA          |
|          | 044    | Slow RockA          |

# USER MANUAL

|              |     |                |         |     |                     |
|--------------|-----|----------------|---------|-----|---------------------|
|              | 045 | Hard RockA     |         | 092 | TarantellaA         |
|              | 046 | Rock & Roll 1A |         | 093 | Slow WaltzA         |
|              | 047 | Rock & Roll 2A |         | 094 | Ober WaltzA         |
| RHYTHM&BLUES | 048 | Chicago BluesA | PINIST  | 095 | Piano BalladA       |
|              | 049 | Fast GospelA   |         | 096 | Waltz 2A            |
|              | 050 | Groove SouLA   |         | 097 | Guitar WaltzA       |
|              | 051 | RapA           |         | 098 | 2/4 Piano 1A        |
|              | 052 | GospelS1A      |         | 099 | 3/4 Piano 1A        |
|              | 053 | BluesA         |         | 100 | 4/4 Piano 1A        |
|              | 054 | Slow BluesA    | 8 BEAT  | 101 | 8 Beat 1B           |
|              | 055 | FoxtrotA       |         | 102 | 8 Beat 2B           |
| Disco        | 056 | Disco TropicA  |         | 103 | 8 Beat 3B           |
|              | 057 | Disco HandsA   |         | 104 | 8 Beat 4B           |
|              | 058 | Two StepA      |         | 105 | 8 Beat HeatB        |
|              | 059 | Polk PopA      |         | 106 | 8 Beat Pop 1B       |
|              | 060 | Waltz 1A       |         | 107 | 8 Beat Pop 2B       |
|              | 061 | Waltz Pop 1A   | BALLAD  | 108 | Ballad 1B           |
|              | 062 | Waltz Pop 2A   |         | 109 | Ballad 2B           |
| WORLD MUSIC  | 063 | RaiA           |         | 110 | Guitar BalladB      |
|              | 064 | Twist 1A       |         | 111 | Organ BalladB       |
|              | 065 | Twist 2A       |         | 112 | Bluse BalladB       |
|              | 066 | Miami PopA     |         | 113 | Epic BalladB        |
|              | 067 | MotownA        |         | 114 | Rock BalladB        |
|              | 068 | ReggaeA        |         | 115 | Slow BalladB        |
|              | 069 | Swing ReggaeA  |         | 116 | Pop BalladB         |
|              | 070 | MamboA         |         | 117 | Electro Pop BalladB |
|              | 071 | BeguineA       |         | 118 | Polk BalladB        |
|              | 072 | MusetteA       | 16 BEAT | 119 | 16 Beat 1B          |
| DANCE        | 073 | HouseA         |         | 120 | 16 Beat 2B          |
|              | 074 | Slow FoxA      |         | 121 | 16 Beat 3B          |
|              | 075 | Vienna WaltzA  |         | 122 | 16 Beat 4B          |
|              | 076 | SalsaA         |         | 123 | 16 Beat FunkB       |
|              | 077 | DiscoA         |         | 124 | 16 Beat Pop B       |
|              | 078 | Hip Hop PopA   |         | 125 | 16 Beat BalladB     |
|              | 079 | Analog PopA    | LATIN   | 126 | Bossa Nova 1B       |
|              | 080 | Club DanceA    |         | 127 | Guitar BossaB       |
| JAZZ&SWING   | 081 | BoogieA        |         | 128 | Pop BossaB          |
|              | 082 | Funky PopA     |         | 129 | TangoB              |
|              | 083 | Jazz RockA     |         | 130 | Cha ChaB            |
|              | 084 | Swing 1A       |         | 131 | RhumbaB             |
|              | 085 | DixielandA     |         | 132 | TEX TEXB            |
|              | 086 | Jazz SambaA    | COUNTRY | 133 | CountryB            |
| TRADITIONAL  | 087 | MarchA         |         | 134 | Country RockB       |
|              | 088 | US. MarchA     |         | 135 | Country ShuffleB    |
|              | 089 | Samba A        |         | 136 | Country SwingB      |
|              | 090 | PolkaA         |         | 137 | Country BalladB     |
|              | 091 | Polka OberA    |         | 138 | Country WaltzB      |

# USER MANUAL

|              |             |                |             |                     |                 |
|--------------|-------------|----------------|-------------|---------------------|-----------------|
| ROCK R&B     | 139         | 50's RockB     | TRADITIONAL | 186                 | Jazz SambaB     |
|              | 140         | Heavy MetalB   |             | 187                 | MarchB          |
|              | 141         | Rock 1B        |             | 188                 | US. MarchB      |
|              | 142         | Rock 2B        |             | 189                 | SambaB          |
|              | 143         | Soft RockB     |             | 190                 | PolkaB          |
|              | 144         | Slow RockB     |             | 191                 | Polka OberB     |
|              | 145         | Hard RockB     |             | 192                 | TarantellaB     |
|              | 146         | Rock & Roll 1B |             | 193                 | Slow WaltzB     |
| RHYTHM&BLUES | 147         | Rock & Roll 2B | PINIST      | 194                 | Ober WaltzB     |
|              | 148         | Chicago BluesB |             | 195                 | Piano BalladB   |
|              | 149         | Fast GospelB   |             | 196                 | Waltz 2B        |
|              | 150         | Groove SoulB   |             | 197                 | Guitar WaltzB   |
|              | 151         | RapB           |             | 198                 | 2/4 Piano 1B    |
|              | 152         | GospelS1B      |             | 199                 | 3/4 Piano 1B    |
|              | 153         | BluesB         |             | 200                 | 4/4 Piano 1B    |
|              | 154         | Slow BluesB    |             | 8 BEAT              | 201             |
| 155          | FoxtrotB    | 202            | 8 Beat 2I   |                     |                 |
| Disco        | 156         | Disco TropicB  | 203         |                     | 8 Beat 3I       |
|              | 157         | Disco HandsB   | 204         |                     | 8 Beat 4I       |
|              | 158         | Two StepB      | 205         |                     | 8 Beat HeatI    |
|              | 159         | Polk PopB      | 206         |                     | 8 Beat Pop 1I   |
|              | 160         | Waltz 1B       | 207         |                     | 8 Beat Pop 2I   |
|              | 161         | Waltz Pop 1B   | BALLAD      |                     | 208             |
|              | 162         | Waltz Pop 2B   |             | 209                 | Ballad 2I       |
|              | WORLD MUSIC | 163            |             | RaiB                | 210             |
| 164          |             | Twist 1B       |             | 211                 | Organ BalladI   |
| 165          |             | Twist 2B       |             | 212                 | Bluse BalladI   |
| 166          |             | Miami PopB     |             | 213                 | Epic BalladI    |
| 167          |             | MotownB        |             | 214                 | Rock BalladI    |
| 168          |             | ReggaeB        |             | 215                 | Slow BalladI    |
| 169          |             | Swing ReggaeB  | 216         | Pop BalladI         |                 |
| 170          |             | MamboB         | 217         | Electro Pop BalladI |                 |
| DANCE        | 171         | BeguineB       | 16 BEAT     | 218                 | Polk BalladI    |
|              | 172         | MusetteB       |             | 219                 | 16 Beat 1I      |
|              | 173         | HouseB         |             | 220                 | 16 Beat 2I      |
|              | 174         | Slow FoxB      |             | 221                 | 16 Beat 3I      |
|              | 175         | Vienna WaltzB  |             | 222                 | 16 Beat 4I      |
|              | 176         | SalsaB         |             | 223                 | 16 Beat FunkI   |
|              | 177         | DiscoB         |             | 224                 | 16 Beat Pop I   |
|              | 178         | Hip Hop PopB   |             | 225                 | 16 Beat BalladI |
| JAZZ&SWING   | 179         | Analog PopB    | LATIN       | 226                 | Bossa Nova 1I   |
|              | 180         | Club DanceB    |             | 227                 | Guitar BossaI   |
|              | 181         | BoogieB        |             | 228                 | Pop BossaI      |
|              | 182         | Funky PopB     |             | 229                 | TangoI          |
|              | 183         | Jazz RockB     |             | 230                 | Cha ChaI        |
|              | 184         | Swing 1B       |             | 231                 | RhumbaI         |
|              | 185         | DixielandB     |             | 232                 | TEX TEXI        |

# USER MANUAL

|              |                |                  |             |                     |                |           |
|--------------|----------------|------------------|-------------|---------------------|----------------|-----------|
| COUNTRY      | 233            | CountryI         | JAZZ&SWING  | 280                 | Club DanceI    |           |
|              | 234            | Country RockI    |             | 281                 | BoogieI        |           |
|              | 235            | Country ShuffleI |             | 282                 | Funky PopI     |           |
|              | 236            | Country SwingI   |             | 283                 | Jazz RockI     |           |
|              | 237            | Country BalladI  |             | 284                 | Swing 1I       |           |
|              | 238            | Country WaltzI   |             | 285                 | DixielandI     |           |
|              | 239            | 50's RockI       |             | 286                 | Jazz SambaI    |           |
|              | 240            | Heavy MetalI     |             | TRADITIONAL         | 287            | MarchI    |
| 241          | Rock 1I        | 288              | US. MarchI  |                     |                |           |
| 242          | Rock 2I        | 289              | SambaI      |                     |                |           |
| 243          | Soft RockI     | 290              | PolkaI      |                     |                |           |
| 244          | Slow RockI     | 291              | Polka OberI |                     |                |           |
| 245          | Hard RockI     | 292              | TarantellaI |                     |                |           |
| 246          | Rock & Roll 1I | 293              | Slow WaltzI |                     |                |           |
| 247          | Rock & Roll 2I | 294              | Ober WaltzI |                     |                |           |
| RHYTHM&BLUES | 248            | Chicago BluesI   | PINIST      | 295                 | Piano BalladI  |           |
|              | 249            | Fast GospelI     |             | 296                 | Waltz 2I       |           |
|              | 250            | Groove SoulI     |             | 297                 | Guitar WaltzI  |           |
|              | 251            | RapI             |             | 298                 | 2/4 Piano 1I   |           |
|              | 252            | GospelS1I        |             | 299                 | 3/4 Piano 1I   |           |
|              | 253            | BluesI           |             | 300                 | 4/4 Piano 1I   |           |
|              | 254            | Slow BluesI      |             | 8 BEAT              | 301            | 8 Beat 1E |
|              | 255            | FoxtrotI         |             |                     | 302            | 8 Beat 2E |
| Disco        | 256            | Disco TropicI    | 303         |                     | 8 Beat 3E      |           |
|              | 257            | Disco HandsI     | 304         |                     | 8 Beat 4E      |           |
|              | 258            | Two StepI        | 305         |                     | 8 Beat HeatE   |           |
|              | 259            | Polk PopI        | 306         |                     | 8 Beat Pop 1E  |           |
|              | 260            | Waltz 1I         | 307         |                     | 8 Beat Pop 2E  |           |
|              | 261            | Waltz Pop 1I     | BALLAD      |                     | 308            | Ballad 1E |
|              | 262            | Waltz Pop 2I     |             | 309                 | Ballad 2E      |           |
|              | 263            | RaiI             |             | 310                 | Guitar BalladE |           |
| 264          | Twist 1I       | 311              |             | Organ BalladE       |                |           |
| 265          | Twist 2I       | 312              |             | Bluse BalladE       |                |           |
| 266          | Miami PopI     | 313              |             | Epic BalladE        |                |           |
| 267          | MotownI        | 314              |             | Rock BalladE        |                |           |
| 268          | ReggaeI        | 315              |             | Slow BalladE        |                |           |
| WORLD MUSIC  | 269            | Swing ReggaeI    | 316         | Pop BalladE         |                |           |
|              | 270            | MamboI           | 317         | Electro Pop BalladE |                |           |
|              | 271            | BeguineI         | 318         | Polk BalladE        |                |           |
|              | 272            | MusetteI         | 16 BEAT     | 319                 | 16 Beat 1E     |           |
|              | 273            | HouseI           |             | 320                 | 16 Beat 2E     |           |
|              | 274            | Slow FoxI        |             | 321                 | 16 Beat 3E     |           |
|              | 275            | Vienna WaltzI    |             | 322                 | 16 Beat 4E     |           |
|              | 276            | SalsaI           |             | 323                 | 16 Beat FunkE  |           |
| 277          | DiscoI         | 324              |             | 16 Beat Pop E       |                |           |
| 278          | Hip Hop PopI   | 325              |             | 16 Beat BalladE     |                |           |
| 279          | Analog PopI    | LATIN            |             | 326                 | Bossa Nova 1E  |           |

# USER MANUAL

|              |     |                  |
|--------------|-----|------------------|
| LATIN        | 327 | Guitar BossaE    |
|              | 328 | Pop BossaE       |
|              | 329 | TangoE           |
|              | 330 | Cha ChaE         |
|              | 331 | RhumbaE          |
|              | 332 | TEX TEXE         |
| COUNTRY      | 333 | CountryE         |
|              | 334 | Country RockE    |
|              | 335 | Country ShuffleE |
|              | 336 | Country SwingE   |
|              | 337 | Country BalladE  |
|              | 338 | Country WaltzE   |
| ROCK R&B     | 339 | 50's RockE       |
|              | 340 | Heavy MetalE     |
|              | 341 | Rock 1E          |
|              | 342 | Rock 2E          |
|              | 343 | Soft RockE       |
|              | 344 | Slow RockE       |
|              | 345 | Hard RockE       |
|              | 346 | Rock & Roll 1E   |
|              | 347 | Rock & Roll 2E   |
| RHYTHM&BLUES | 348 | Chicago BluesE   |
|              | 349 | Fast GospelE     |
|              | 350 | Groove SouleE    |
|              | 351 | RapE             |
|              | 352 | GospelS1E        |
|              | 353 | BluesE           |
|              | 354 | Slow BluesE      |
|              | 355 | FoxtrotE         |
| Disco        | 356 | Disco TropicE    |
|              | 357 | Disco HandsE     |
|              | 358 | Two StepE        |
|              | 359 | Polk PopE        |
|              | 360 | Waltz 1E         |
|              | 361 | Waltz Pop 1E     |
|              | 362 | Waltz Pop 2E     |
| WORLD MUSIC  | 363 | RaiE             |
|              | 364 | Twist 1E         |
|              | 365 | Twist 2E         |
|              | 366 | Miami PopE       |
|              | 367 | MotownE          |
|              | 368 | ReggaeE          |
|              | 369 | Swing ReggaeE    |
|              | 370 | MamboE           |
|              | 371 | BeguineE         |
|              | 372 | MusetteE         |
|              | 373 | HouseE           |

|             |     |                      |
|-------------|-----|----------------------|
| DANCE MUSIC | 374 | Slow FoxE            |
|             | 375 | Vienna WaltzE        |
|             | 376 | SalsaE               |
|             | 377 | DiscoE               |
|             | 378 | Hip Hop PopE         |
|             | 379 | Analog PopE          |
|             | 380 | Club DanceE          |
| JAZZ&SWING  | 381 | BoogieE              |
|             | 382 | Funky PopE           |
|             | 383 | Jazz RockE           |
|             | 384 | Swing 1E             |
|             | 385 | DixielandE           |
|             | 386 | Jazz SambaE          |
| TRADITIONAL | 387 | MarchE               |
|             | 388 | US. MarchE           |
|             | 389 | SambaE               |
|             | 390 | PolkaE               |
|             | 391 | Polka OberE          |
|             | 392 | TarantellaE          |
|             | 393 | Slow WaltzE          |
|             | 394 | Ober WaltzE          |
| PINIST      | 395 | Piano BalladE        |
|             | 396 | Waltz 2E             |
|             | 397 | Guitar WaltzE        |
|             | 398 | 2/4 Piano 1E         |
|             | 399 | 3/4 Piano 1E         |
|             | 400 | 4/4 Piano 1E         |
| 8 BEAT      | 401 | 8 Beat 1AF           |
|             | 402 | 8 Beat 2AF           |
|             | 403 | 8 Beat 3AF           |
|             | 404 | 8 Beat 4AF           |
|             | 405 | 8 Beat HeatAF        |
|             | 406 | 8 Beat Pop 1AF       |
|             | 407 | 8 Beat Pop 2AF       |
| BALLAD      | 408 | Ballad 1AF           |
|             | 409 | Ballad 2AF           |
|             | 410 | Guitar BalladAF      |
|             | 411 | Organ BalladAF       |
|             | 412 | Bluse BalladAF       |
|             | 413 | Epic BalladAF        |
|             | 414 | Rock BalladAF        |
|             | 415 | Slow BalladAF        |
|             | 416 | Pop BalladAF         |
|             | 417 | Electro Pop BalladAF |
|             | 418 | Polk BalladAF        |
| 16 BEAT     | 419 | 16 Beat 1AF          |
|             | 420 | 16 Beat 2AF          |

# USER MANUAL

|              |     |                   |
|--------------|-----|-------------------|
|              | 421 | 16 Beat 3AF       |
|              | 422 | 16 Beat 4AF       |
|              | 423 | 16 Beat FunkAF    |
|              | 424 | 16 Beat Pop AF    |
|              | 425 | 16 Beat BalladAF  |
| LATIN        | 426 | Bossa Nova 1AF    |
|              | 427 | Guitar BossaAF    |
|              | 428 | Pop BossaAF       |
|              | 429 | TangoAF           |
|              | 430 | Cha ChaAF         |
|              | 431 | RhumbaAF          |
|              | 432 | TEX TEXAF         |
| COUNTRY      | 433 | CountryAF         |
|              | 434 | Country RockAF    |
|              | 435 | Country ShuffleAF |
|              | 436 | Country SwingAF   |
|              | 437 | Country BalladAF  |
|              | 438 | Country WaltzAF   |
| ROCK R&B     | 439 | 50's RockAF       |
|              | 440 | Heavy MetalAF     |
|              | 441 | Rock 1AF          |
|              | 442 | Rock 2AF          |
|              | 443 | Soft RockAF       |
|              | 444 | Slow RockAF       |
|              | 445 | Hard RockAF       |
|              | 446 | Rock & Roll 1AF   |
|              | 447 | Rock & Roll 2AF   |
| RHYTHM&BLUES | 448 | Chicago BluesAF   |
|              | 449 | Fast GospelAF     |
|              | 450 | Groove SouAF      |
|              | 451 | RapAF             |
|              | 452 | GospelS1AF        |
|              | 453 | BluesAF           |
|              | 454 | Slow BluesAF      |
|              | 455 | FoxtrotAF         |
| Disco        | 456 | Disco TropicAF    |
|              | 457 | Disco HandsAF     |
|              | 458 | Two StepAF        |
|              | 459 | Polk PopAF        |
|              | 460 | Waltz 1AF         |
|              | 461 | Waltz Pop 1AF     |
|              | 462 | Waltz Pop 2AF     |
| WORLD MUSIC  | 463 | RaiAF             |
|              | 464 | Twist 1AF         |
|              | 465 | Twist 2AF         |
|              | 466 | Miami PopAF       |
|              | 467 | MotownAF          |

|             |     |                 |
|-------------|-----|-----------------|
|             | 468 | ReggaeAF        |
|             | 469 | Swing ReggaeAF  |
|             | 470 | MamboAF         |
|             | 471 | BeguineAF       |
|             | 472 | MusetteAF       |
| DANCE       | 473 | HouseAF         |
|             | 474 | Slow FoxAF      |
|             | 475 | Vienna WaltzAF  |
|             | 476 | SalsaAF         |
|             | 477 | DiscoAF         |
|             | 478 | Hip Hop PopAF   |
|             | 479 | Analog PopAF    |
|             | 480 | Club DanceAF    |
| JAZZ&SWING  | 481 | BoogieAF        |
|             | 482 | Funky PopAF     |
|             | 483 | Jazz RockAF     |
|             | 484 | Swing 1AF       |
|             | 485 | DixielandAF     |
|             | 486 | Jazz SambaAF    |
| TRADITIONAL | 487 | MarchAF         |
|             | 488 | US. MarchAF     |
|             | 489 | SambaAF         |
|             | 490 | PolkaAF         |
|             | 491 | Polka OberAF    |
|             | 492 | TarantellaAF    |
|             | 493 | Slow WaltzAF    |
|             | 494 | Ober WaltzAF    |
| PINIST      | 495 | Piano BalladAF  |
|             | 496 | Waltz 2AF       |
|             | 497 | Guitar WaltzAF  |
|             | 498 | 2/4 Piano 1AF   |
|             | 499 | 3/4 Piano 1AF   |
|             | 500 | 4/4 Piano 1AF   |
| 8 BEAT      | 501 | 8 Beat 1BF      |
|             | 502 | 8 Beat 2BF      |
|             | 503 | 8 Beat 3BF      |
|             | 504 | 8 Beat 4BF      |
|             | 505 | 8 Beat HeatBF   |
|             | 506 | 8 Beat Pop 1BF  |
|             | 507 | 8 Beat Pop 2BF  |
| BALLAD      | 508 | Ballad 1BF      |
|             | 509 | Ballad 2BF      |
|             | 510 | Guitar BalladBF |
|             | 511 | Organ BalladBF  |
|             | 512 | Bluse BalladBF  |
|             | 513 | Epic BalladBF   |
|             | 514 | Rock BalladBF   |

# USER MANUAL

|              |     |                      |
|--------------|-----|----------------------|
|              | 515 | Slow BalladBF        |
|              | 516 | Pop BalladBF         |
|              | 517 | Electro Pop BalladBF |
|              | 518 | Polk BalladBF        |
| 16 BEAT      | 519 | 16 Beat 1BF          |
|              | 520 | 16 Beat 2BF          |
|              | 521 | 16 Beat 3BF          |
|              | 522 | 16 Beat 4BF          |
|              | 523 | 16 Beat FunkBF       |
|              | 524 | 16 Beat Pop BF       |
|              | 525 | 16 Beat BalladBF     |
| LATIN        | 526 | Bossa Nova 1BF       |
|              | 527 | Guitar BossaBF       |
|              | 528 | Pop BossaBF          |
|              | 529 | TangoBF              |
|              | 530 | Cha ChaBF            |
|              | 531 | RhumbaBF             |
|              | 532 | TEX TEXBF            |
| COUNTRY      | 533 | CountryBF            |
|              | 534 | Country RockBF       |
|              | 535 | Country ShuffleBF    |
|              | 536 | Country SwingBF      |
|              | 537 | Country BalladBF     |
|              | 538 | Country WaltzBF      |
| ROCK R&B     | 539 | 50's RockBF          |
|              | 540 | Heavy MetalBF        |
|              | 541 | Rock 1BF             |
|              | 542 | Rock 2BF             |
|              | 543 | Soft RockBF          |
|              | 544 | Slow RockBF          |
|              | 545 | Hard RockBF          |
|              | 546 | Rock & Roll 1BF      |
|              | 547 | Rock & Roll 2BF      |
| RHYTHM&BLUES | 548 | Chicago BluesBF      |
|              | 549 | Fast Gospel1BF       |
|              | 550 | Groove SoulBF        |
|              | 551 | RapBF                |
|              | 552 | GospelS1BF           |
|              | 553 | BluesBF              |
|              | 554 | Slow BluesBF         |
|              | 555 | FoxtrotBF            |
| Disco        | 556 | Disco TropicBF       |
|              | 557 | Disco HandsBF        |
|              | 558 | Two StepBF           |
|              | 559 | Polk PopBF           |
|              | 560 | Waltz 1BF            |
|              | 561 | Waltz Pop 1BF        |

|             |     |                |
|-------------|-----|----------------|
|             | 562 | Waltz Pop 2BF  |
| WORLD MUSIC | 563 | RaiBF          |
|             | 564 | Twist 1BF      |
|             | 565 | Twist 2BF      |
|             | 566 | Miami PopBF    |
|             | 567 | MotownBF       |
|             | 568 | ReggaeBF       |
|             | 569 | Swing ReggaeBF |
|             | 570 | MamboBF        |
|             | 571 | BeguineBF      |
|             | 572 | MusetteBF      |
| DANCE       | 573 | HouseBF        |
|             | 574 | Slow FoxBF     |
|             | 575 | Vienna WaltzBF |
|             | 576 | SalsaBF        |
|             | 577 | DiscoBF        |
|             | 578 | Hip Hop PopBF  |
|             | 579 | Analog PopBF   |
|             | 580 | Club DanceBF   |
| JAZZ&SWING  | 581 | BoogieBF       |
|             | 582 | Funky PopBF    |
|             | 583 | Jazz RockBF    |
|             | 584 | Swing 1BF      |
|             | 585 | DixielandBF    |
|             | 586 | Jazz SambaBF   |
| TRADITIONAL | 587 | MarchBF        |
|             | 588 | US. MarchBF    |
|             | 589 | SambaBF        |
|             | 590 | PolkaBF        |
|             | 591 | Polka OberBF   |
|             | 592 | TarantellaBF   |
|             | 593 | Slow WaltzBF   |
|             | 594 | Ober WaltzBF   |
| PINIST      | 595 | Piano BalladBF |
|             | 596 | Waltz 2BF      |
|             | 597 | Guitar WaltzBF |
|             | 598 | 2/4 Piano 1BF  |
|             | 599 | 3/4 Piano 1BF  |
|             | 600 | 4/4 Piano 1BF  |
| 8 BEAT      | 601 | 8 Beat 1C      |
|             | 602 | 8 Beat 2C      |
|             | 603 | 8 Beat 3C      |
|             | 604 | 8 Beat 4C      |
|             | 605 | 8 Beat HeatC   |
|             | 606 | 8 Beat Pop 1C  |
|             | 607 | 8 Beat Pop 2C  |
|             | 608 | Ballad 1C      |

# USER MANUAL

|         |     |                     |
|---------|-----|---------------------|
|         | 609 | Ballad 2C           |
|         | 610 | Guitar BalladC      |
|         | 611 | Organ BalladC       |
|         | 612 | Bluse BalladC       |
|         | 613 | Epic BalladC        |
| 16 BEAT | 614 | Rock BalladC        |
|         | 615 | Slow BalladC        |
|         | 616 | Pop BalladC         |
|         | 617 | Electro Pop BalladC |
|         | 618 | Polk BalladC        |
|         | 619 | 16 Beat 1C          |
|         | 620 | 16 Beat 2C          |
|         | 621 | 16 Beat 3C          |
|         | 622 | 16 Beat 4C          |
|         | 623 | 16 Beat FunkC       |
|         | 624 | 16 Beat Pop C       |
|         | 625 | 16 Beat BalladC     |
|         | 626 | Bossa Nova 1C       |
|         | 627 | Guitar BossaC       |
|         | 628 | Pop BossaC          |
|         | 629 | TangoC              |
| BALLAD  | 630 | Cha ChaC            |
|         | 631 | RhumbaC             |
|         | 632 | TEX TEXC            |
|         | 633 | CountryC            |
|         | 634 | Country RockC       |
|         | 635 | Country ShuffleC    |
|         | 636 | Country SwingC      |
|         | 637 | Country BalladC     |
|         | 638 | Country WaltzC      |
|         | 639 | 50's RockC          |
|         | 640 | Heavy MetalC        |
|         | 641 | Rock 1C             |
|         | 642 | Rock 2C             |
|         | 643 | Soft RockC          |
|         | 644 | Slow RockC          |
|         | 645 | Hard RockC          |
|         | 646 | Rock & Roll 1C      |
|         | 647 | Rock & Roll 2C      |
|         | 648 | Chicago BluesC      |
| COUNTRY | 649 | Fast Gospel1C       |
|         | 650 | Groove SoulC        |
|         | 651 | RapC                |
|         | 652 | GospelS1C           |
|         | 653 | BluesC              |
|         | 654 | Slow BluesC         |
|         | 655 | FoxtrotC            |

|            |     |               |
|------------|-----|---------------|
|            | 656 | Disco TropicC |
|            | 657 | Disco HandsC  |
|            | 658 | Two StepC     |
|            | 659 | Polk PopC     |
| DANCE      | 660 | Waltz 1C      |
|            | 661 | Waltz Pop 1C  |
|            | 662 | Waltz Pop 2C  |
|            | 663 | RaiC          |
|            | 664 | Twist 1C      |
|            | 665 | Twist 2C      |
|            | 666 | Miami PopC    |
|            | 667 | MotownC       |
|            | 668 | ReggaeC       |
|            | 669 | Swing ReggaeC |
|            | 670 | MamboC        |
|            | 671 | BeguineC      |
|            | 672 | MusetteC      |
|            | 673 | HouseC        |
|            | 674 | Slow FoxC     |
|            | 675 | Vienna WaltzC |
|            | 676 | SalsaC        |
|            | 677 | DiscoC        |
|            | 678 | Hip Hop PopC  |
|            | 679 | Analog PopC   |
|            | 680 | Club DanceC   |
|            | 681 | BoogieC       |
|            | 682 | Funky PopC    |
|            | 683 | Jazz RockC    |
|            | 684 | Swing 1C      |
|            | 685 | DixielandC    |
|            | 686 | Jazz SambaC   |
|            | 687 | MarchC        |
|            | 688 | US. MarchC    |
|            | 689 | SambaC        |
|            | 690 | PolkaC        |
|            | 691 | Polka OberC   |
|            | 692 | TarantellaC   |
|            | 693 | Slow WaltzC   |
| JAZZ&SWING | 694 | Ober WaltzC   |
|            | 695 | Piano BalladC |
|            | 696 | Waltz 2C      |
|            | 697 | Guitar WaltzC |
|            | 698 | 2/4 Piano 1C  |
|            | 699 | 3/4 Piano 1C  |
|            | 700 | 4/4 Piano 1C  |



# USER MANUAL

## DEMO LIST:

|     |          |     |           |
|-----|----------|-----|-----------|
| NO  | SongName | 029 | HapyBirh  |
| 001 | MinutWlz | 030 | PraiseSng |
| 002 | DJ Dance | 031 | Dolly     |
| 003 | Fountian | 032 | Market    |
| 004 | SpanGirl | 033 | Family    |
| 005 | SonataPn | 034 | A cradle  |
| 006 | SuperSng | 035 | At Home   |
| 007 | LittlBee | 036 | Seasons   |
| 008 | HorseRac | 037 | YearsAgo  |
| 009 | Nocturne | 038 | Pigeons   |
| 010 | TheSpain | 039 | InnerVic  |
| 011 | BusyTran | 040 | Violin    |
| 012 | Mexico   | 041 | Swan      |
| 013 | MozartPn | 042 | Musettes  |
| 014 | Minuet   | 043 | GypsyRnd  |
| 015 | Nifuma   | 044 | Serenade  |
| 016 | Disco    | 045 | Polka     |
| 017 | FolkSong | 046 | SoilPull  |
| 018 | Girl Sea | 047 | Trout     |
| 019 | LittStar | 048 | Send-off  |
| 020 | KindeGtn | 049 | March     |
| 021 | Wahaha   | 050 | ForElise  |
| 022 | Duck&Cik | 051 | SwaniRiv  |
| 023 | Humorous | 052 | France    |
| 024 | Joy Song | 053 | Danube    |
| 025 | GoingHom | 054 | Hungary   |
| 026 | Dove     | 055 | Spaceman  |
| 027 | Auldlang | 056 | Patriot   |
| 028 | Moonligh | 057 | Cuckoo    |

# USER MANUAL

|     |          |     |           |
|-----|----------|-----|-----------|
| 058 | SingKite | 087 | Beyer 90  |
| 059 | TongChil | 088 | Beyer 98  |
| 060 | DoReMi   | 089 | Beyer 99  |
| 061 | We Happy | 090 | Beyer 26  |
| 062 | LittlBee | 091 | Beyer 27  |
| 063 | Russia   | 092 | Beyer 28  |
| 064 | Plaster  | 093 | Beyer 29  |
| 065 | Foison   | 094 | Beyer 31  |
| 066 | JingleBe | 095 | Beyer 106 |
| 067 | PaperBoy | 096 | Beyer 48  |
| 068 | Swallow  | 097 | Beyer 52  |
| 069 | New Year | 098 | Beyer 107 |
| 070 | Edelweis | 099 | Beyer 18  |
| 071 | MoonRivr | 100 | Beyer 21  |
| 072 | Beyer 10 | 101 | Beyer 23  |
| 073 | Beyer 20 | 102 | Beyer 25  |
| 074 | Beyer 30 | 103 | Beyer 36  |
| 075 | Beyer 40 | 104 | Beyer 84  |
| 076 | Beyer 50 | 105 | Beyer 88  |
| 077 | Beyer 60 | 106 | Beyer 32  |
| 078 | Beyer 70 | 107 | Beyer 35  |
| 079 | Beyer 71 | 108 | Beyer 11  |
| 080 | Beyer 72 | 109 | Beyer 16  |
| 081 | Beyer 75 | 110 | Beyer 18  |
| 082 | Beyer 76 |     |           |
| 083 | Beyer 77 |     |           |
| 084 | Beyer 78 |     |           |
| 085 | Beyer 79 |     |           |
| 086 | Beyer 80 |     |           |

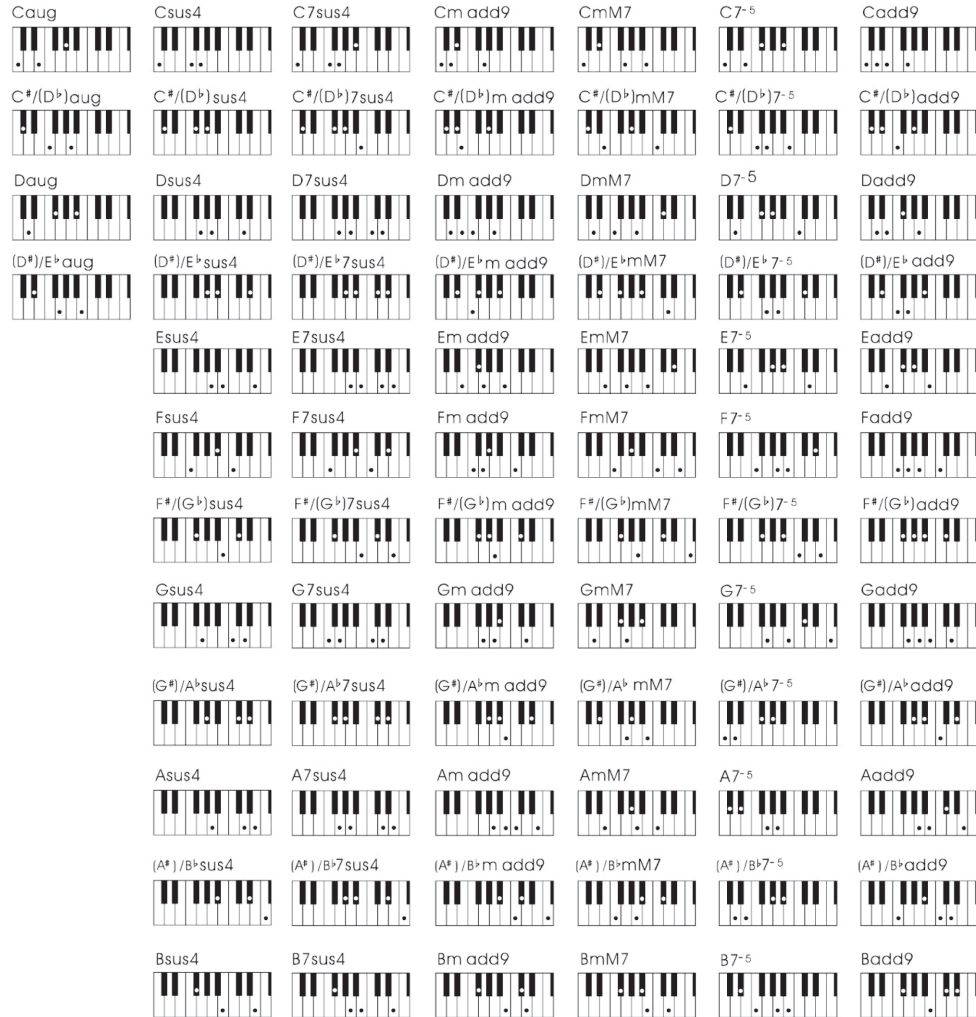
## Single Finger Chord List

|    | M | m | 7 | m7 |
|----|---|---|---|----|
| C  |   |   |   |    |
| C# |   |   |   |    |
| D  |   |   |   |    |
| D# |   |   |   |    |
| E  |   |   |   |    |
| F  |   |   |   |    |
| F# |   |   |   |    |
| G  |   |   |   |    |
| G# |   |   |   |    |
| A  |   |   |   |    |
| A# |   |   |   |    |
| B  |   |   |   |    |

## Multi-finger Chord List

|                                   |                                    |                                    |                                     |                          |                                     |                                       |                                      |
|-----------------------------------|------------------------------------|------------------------------------|-------------------------------------|--------------------------|-------------------------------------|---------------------------------------|--------------------------------------|
| C                                 | Cm                                 | C7                                 | Cm7                                 | Cdim7                    | CM7                                 | Cm7-5                                 | Cdim                                 |
| C#/(D <sup>b</sup> )              | C#/(D <sup>b</sup> )m              | C#/(D <sup>b</sup> )7              | C#/(D <sup>b</sup> )m7              | C#/(D <sup>b</sup> )dim7 | C#/(D <sup>b</sup> )M7              | C#/(D <sup>b</sup> )m7-5              | C#/(D <sup>b</sup> )dim              |
| D                                 | Dm                                 | D7                                 | Dm7                                 | Ddim7                    | DM7                                 | Dm7-5                                 | Ddim                                 |
| (D <sup>#</sup> )/E <sup>b</sup>  | (D <sup>#</sup> )/E <sup>b</sup> m | (D <sup>#</sup> )/E <sup>b</sup> 7 | (D <sup>#</sup> )/E <sup>b</sup> m7 |                          | (D <sup>#</sup> )/E <sup>b</sup> M7 | (D <sup>#</sup> )/E <sup>b</sup> m7-5 | (D <sup>#</sup> )/E <sup>b</sup> dim |
| E                                 | Em                                 | E7                                 | Em7                                 |                          | EM7                                 | Em7-5                                 | Edim                                 |
| F                                 | Fm                                 | F7                                 | Fm7                                 |                          | FM7                                 | Fm7-5                                 | Fdim                                 |
| F <sup>#</sup> /(G <sup>b</sup> ) | F <sup>#</sup> /(G <sup>b</sup> )m | F <sup>#</sup> /(G <sup>b</sup> )7 | F <sup>#</sup> /(G <sup>b</sup> )m7 |                          | F <sup>#</sup> /(G <sup>b</sup> )M7 | F <sup>#</sup> /(G <sup>b</sup> )m7-5 | F <sup>#</sup> /(G <sup>b</sup> )dim |
| G                                 | Gm                                 | G7                                 | Gm7                                 |                          | GM7                                 | Gm7-5                                 | Gdim                                 |
| (G <sup>#</sup> )/A <sup>b</sup>  | (G <sup>#</sup> )/A <sup>b</sup> m | (G <sup>#</sup> )/A <sup>b</sup> 7 | (G <sup>#</sup> )/A <sup>b</sup> m7 |                          | (G <sup>#</sup> )/A <sup>b</sup> M7 | (G <sup>#</sup> )/A <sup>b</sup> m7-5 | (G <sup>#</sup> )/A <sup>b</sup> dim |
| A                                 | Am                                 | A7                                 | Am7                                 |                          | AM7                                 | Am7-5                                 | Adim                                 |
| (A <sup>#</sup> )/B <sup>b</sup>  | (A <sup>#</sup> )/B <sup>b</sup> m | (A <sup>#</sup> )/B <sup>b</sup> 7 | (A <sup>#</sup> )/B <sup>b</sup> m7 |                          | (A <sup>#</sup> )/B <sup>b</sup> M7 | (A <sup>#</sup> )/B <sup>b</sup> m7-5 | (A <sup>#</sup> )/B <sup>b</sup> dim |
| B                                 | Bm                                 | B7                                 | Bm7                                 |                          | BM7                                 | Bm7-5                                 | Bdim                                 |





## Product Maintenance

Careful and good maintenance and production of this product play a very important role in lengthen service life of the product and decrease fault.

## Avoid heating, Damping or direct Sunlight

You shall not have the musical instrument exposed to sunlight in excess, or placed where is near air conditioner or baking hot

## you should not use it near TV set or radios

This musical instrument may lead to video or audio disturbance on TV set and Radio. In that case, you shall move the musical instrument away from TV set or radio

## You should not use paint, thinner or similar chemicals to clean

You can clean this product a piece of soft cloth with weak solution and neutral detergent. The piece of cloth shall be dipped and wrung out in the solution until

it is dry approximately.

## you should avoid quake and collision

The product shall be handled with care when removing with strict prohibition of strenuous quake and collision in order not to make outer shell or innerelectronic components damaged.

## Avoid using where is easy to be affected by abnormal high and low temperatures

Too high or low temperature may make pictures on LCD screen turn to be gray and hard to be identified. When you have the product under normal temperature, the case will be corrected automatically.

## Safety warning:

This product is an electronic and electrical product.

The long-term use of the circuit components may cause failures. It is recommended that the safe use period is 2 years.

After the safe use period, please regularly inspect the product. If you find any problems, please do not continue to use it. Cause a safety accident!

## Warranty Card

1. Normal use of this product, if there is a failure due to quality problems, from the date of purchase (the payment voucher on the purchase date shall prevail), you can enjoy one-year free warranty service, and lifetime paid maintenance after the warranty period.
2. During the warranty period, if any damage is caused by improper use or storage, a material fee will be charged.
3. Free warranty will not be provided in the following cases:
  - a: The payment voucher that proves the date of purchase cannot be presented
  - b: The purchase date has been modified
  - c: Damage caused by incorrect use by the user
  - d: Failure caused by irresistible factors such as fire, flood, earthquake, lightning strike, etc.
  - e: Failure caused by disassembly without permission